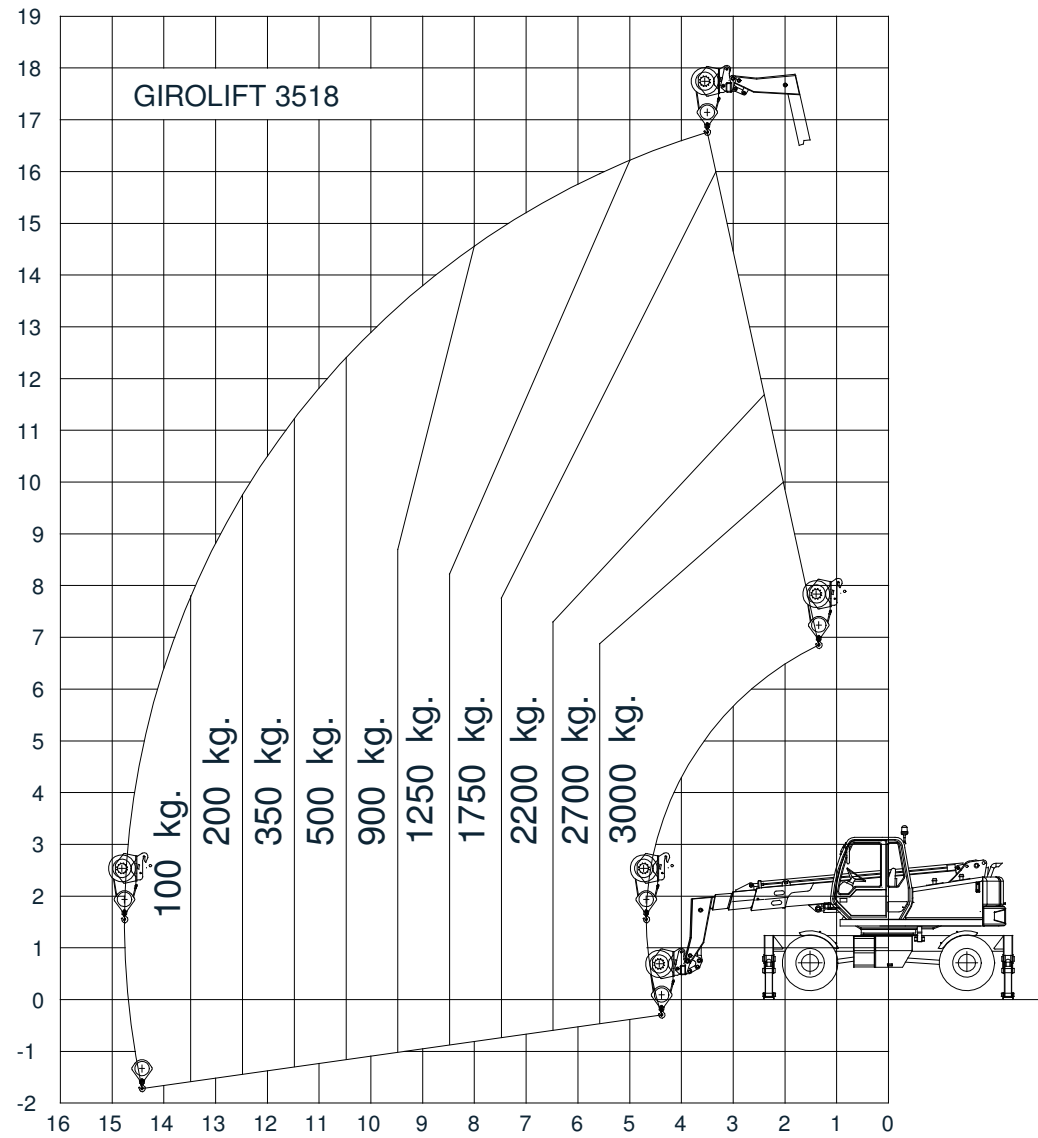
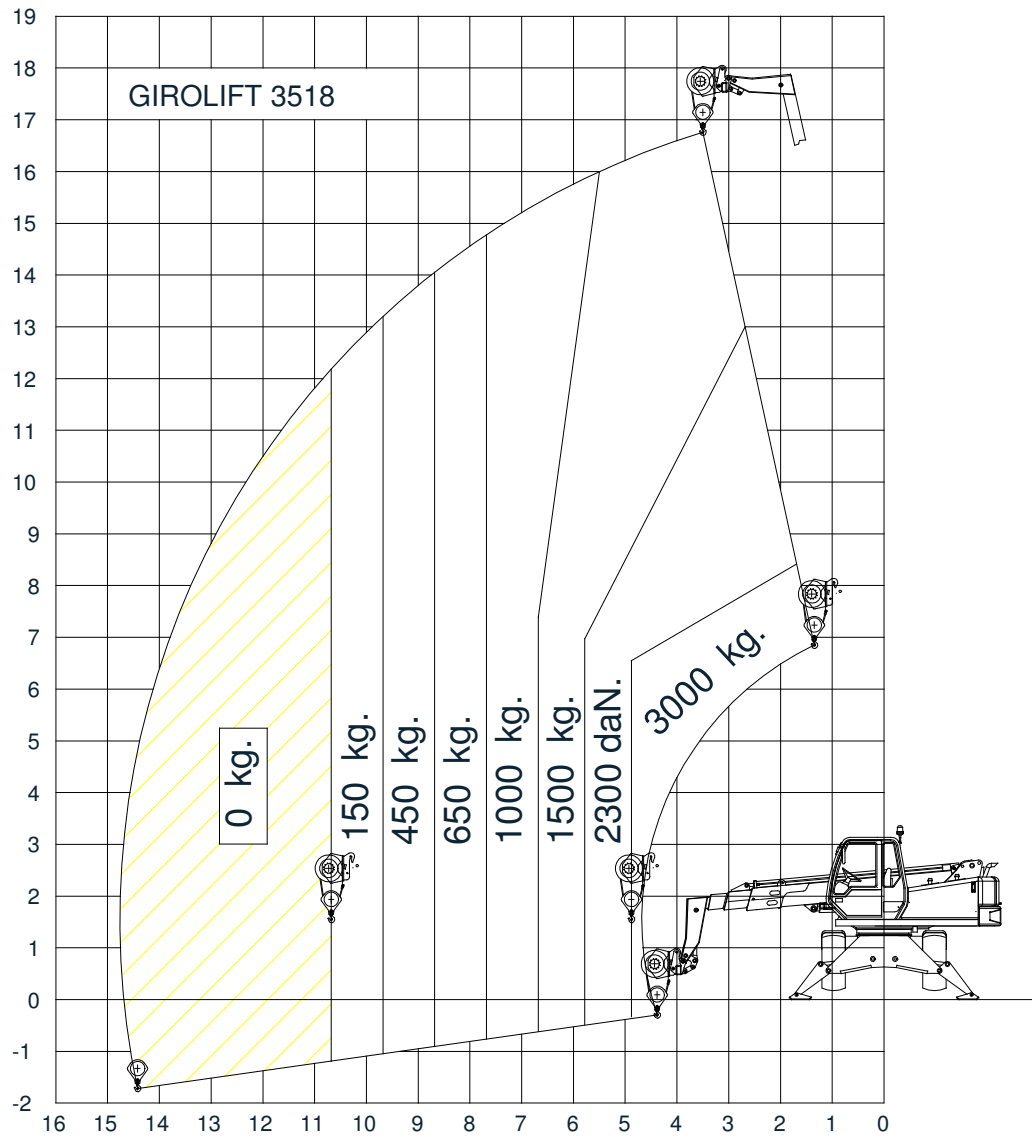


LIFTING DIAGRAM WITH WINCH 3000 kg.



LIFTING DIAGRAM ON OUTRIGGERS