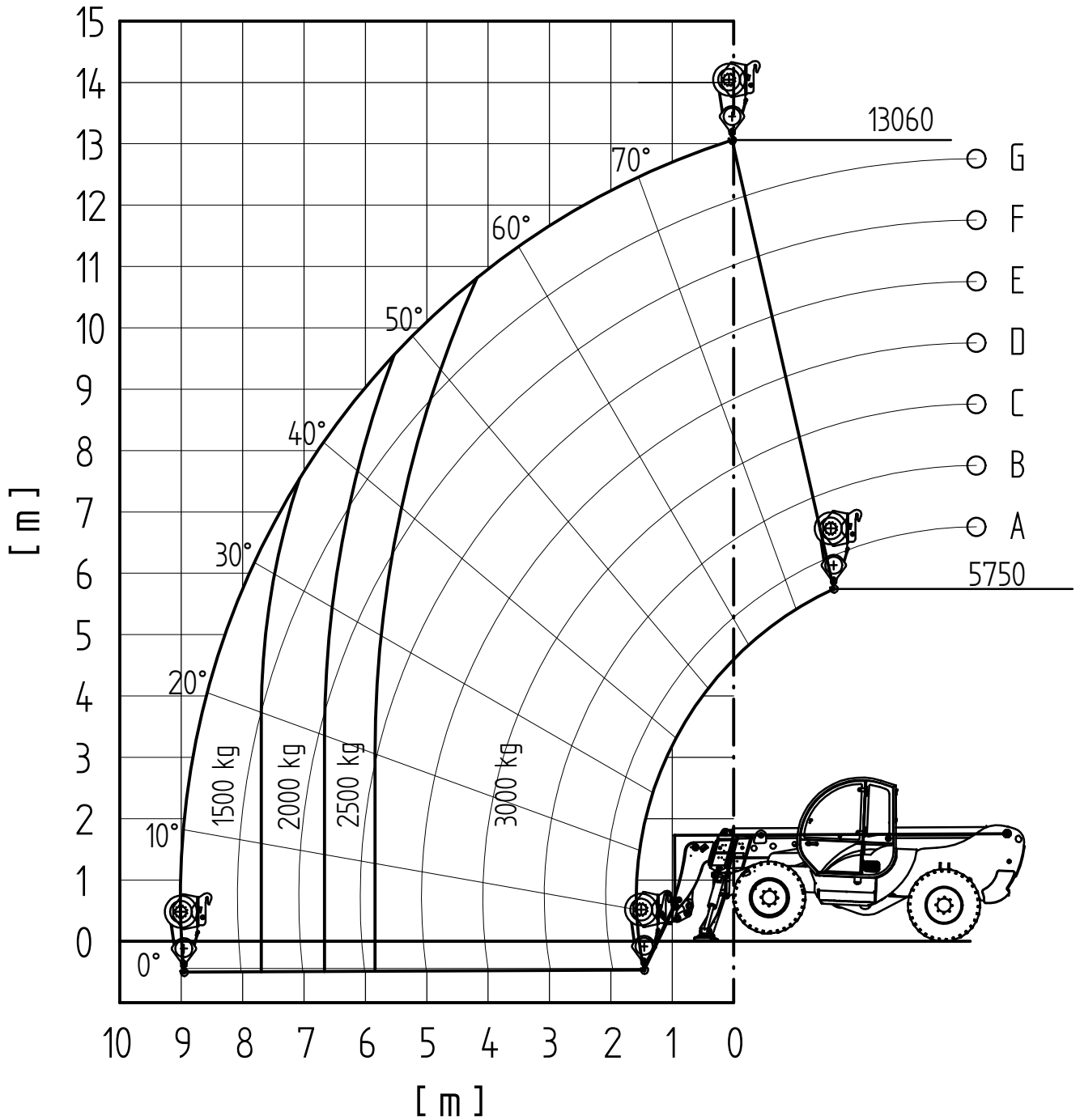


GTH 4514

Load Chart with Winch



Load Chart on Outriggers